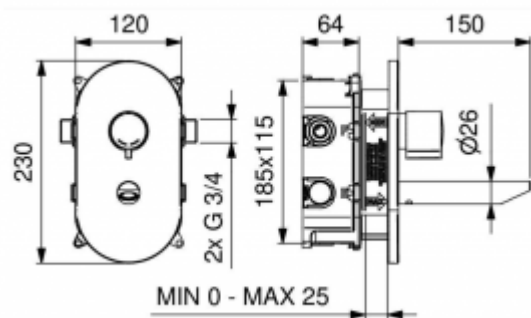


## Time mixer 8352

- Mixer with anti-scalding lock
- Exceptional durability and reliability
- The product is made in the European Union
- Simple operation
- Easy to assemble
- Vandal-resistant finish
- Water pressure adjustment

Option	With mixer
Connector	2 x 3/4"
Design	Vandal resistant - chrome-plated brass
Water time flow	Adjustable from 15 seconds $\pm$ 3 second
Start	By means of the button
Water pressure reductor	up to 6l/min.
Spout	Equipped with an aerator



Concealed washbasin tap with built-in mixer. The mixer body is made of corrosion-resistant brass covered with a chrome layer. The 8352 faucet has two G3/4 connections for cold and hot water. A single water outflow, with the standard setting of the faucet, is about 15 seconds  $\pm$  3 seconds. The connection pressure can range from 0.5 bar - 6 bar, however, the recommended pressure is 2-4 bar.

The 8352 mixer uses anti-scaling parts with a built-in anti-calc system. The faucet is equipped with filters and non-return valves that prevent water from flowing back into the system. The use of non-return valves is very important as they guarantee the correct operation of the fittings.