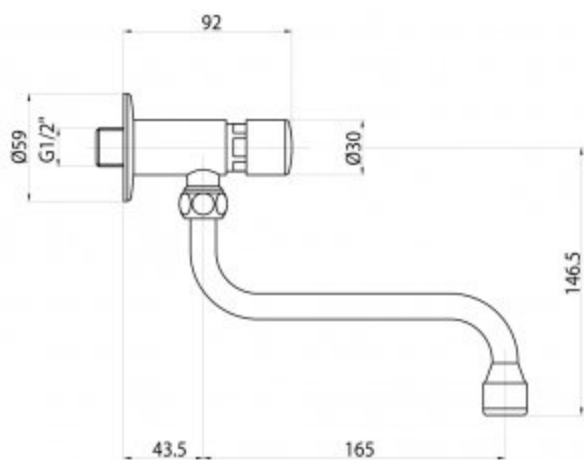




Time battery 9030

- The body is made of chrome-plated brass
- Two variants: 9030 universal and 9030AB with anti-block system
- Water pressure reduction in the form of a cup and water flow reducer
- Adjustable spout
- Extended spout with a strainer to regulate the water stream
- High resistance to vandalism
- Exceptional durability and reliability
- The product is entirely made in the European Union
- Simple operation
- Easy to assemble
- PZH certificate, CE declaration

Option	For mixed water
Connector	G1/2
Design	Chrome-plated brass
Water time flow	Adjustable from 10 seconds \pm 3 second
Start	By means of the button
Water pressure reductor	up to 6l / min.
Water temperature	5-65°C
Water pressure	Min 0,5 bar - Max 6 bar (Recommended 2-4 bar)
Contains	Battery, mounting kit for the washbasin



Washbasin timer with extended spout for cold or pre-mixed water. The faucet body is made of chrome-plated brass. The built-in spout is movable, which makes it an ideal solution for installation at double-chamber sinks, trough basins, etc. Standard water flow time is approx. 10 seconds \pm 3 seconds (at 3 bar water pressure). The amount of water consumed by the flow of water is up to 6 l / m. The minimum connection pressure is 0.5 bar, the maximum is 6 bar, the recommended connection pressure should be 2-4 bar. The 9030 battery is available in two variants:

- 9030 universal variant, equipped with one 1/2 connection and a cup, a water flow reducer, and an adjustment hole;
- 9030AB variant with an integrated anti-block system, which includes a cup and a flow reducer. The option to adjust the water flow time is not available.

It is worth adding that the anti-block system is most often used in the case of fittings used in arrests or prisons. It works by starting the water flow when the head is released. This means that the flow of water is started when the user's hand releases the flow start button.

Importantly, in the case of standard batteries, the water flow is activated when the button is pressed, which is opposite to the anti-block system. Importantly, each type 9030 battery comes with an assembly kit and the whole thing is certified by the Polish Institute of Hygiene, CE Declaration of Conformity, and the National Declaration of Performance.