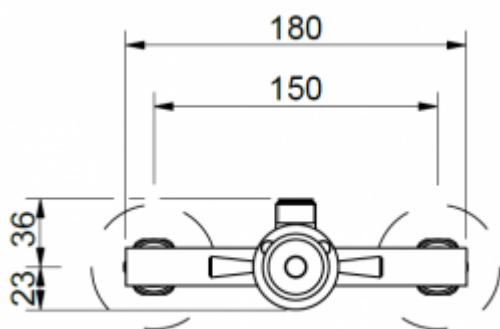




Time battery 9006MIX/1

- Manual mixer in the form of a knob with projections located just behind the button.
- The body is made of chrome-plated brass
- Water flow time adjustment
- Water pressure reduction
- High resistance to vandalism due to the highest quality materials
- Exceptional durability and reliability
- The product is entirely made in the European Union
- Simple operation
- Easy assembly
- PZH certificate, CE declaration

Option	With mixer
Connector	2 x 3/4 "
Mixer	Manual
Design	Vandal resistant - chrome plated brass
Water time flow	Adjustable from 15-25 seconds
Start	By means of the button
Water pressure reductor	up to 6l/min
Contains	Battery, mounting kit, check valves.



Shower tap with built-in mixer for cold and hot water. The mixer body is made of corrosion-resistant chrome-plated brass. The faucet is equipped with two G3/4 connections for cold and hot water. A single outflow of water lasts 15-25 seconds. Single water flow is 6 l/m, at a connection pressure of 3 bar. The water connection temperature is 5-65°C, while the recommended water connection pressure is 2-4 bar. The 9006MIX/1 tap is available in two options:

- 9006MIX/1, equipped with a mixer and water flow reducer;
- 9006MIX/1AB, with an anti-block system.