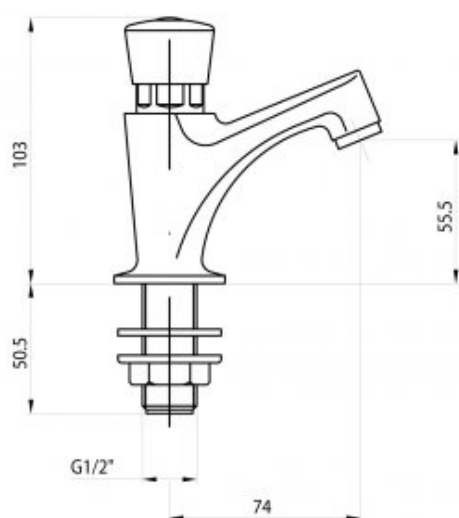




Time battery 9002

- The body is made of chrome-plated brass
- Three variants: 9002 universal, 9002 / M with a concealed mixer and 9002AB with an anti-block system
- Water flow time adjustment (available for 9002 and 9002 / M variants)
- Water pressure reduction
- High resistance to vandalism (the 9002AB variant has additional protection in the form of an anti-block system)
- Exceptional durability and reliability
- The product is entirely made in the European Union
- Simple operation
- Easy assembly
- Certificate of the Polish Institute of Hygiene
- CE declaration of conformity
- National Declaration of Performance

Option	For mixed water
Connector	1/2 "
Mixer	2xG1 / 2 under-basin - only with 9002 / M
Design	Chrome-plated brass
Water time flow	Adjustable from 10 seconds \pm 3 second
Start	By means of the button
Water pressure reductor	up to 6l / min.
Water temperature	5-65°C
Water pressure	Min 0,5 bar - Max 6 bar (Recommended 2-4 bar)
Contains	Battery, mounting kit for the washbasin



The 9002 basin tap is a classic product for mixed water. The body is made of solid brass covered with chrome. The whole has one G1 / 2 connection and elements regulating the water flow. The mentioned elements are:

- a cup regulating the flow of water;
- water flow regulator - included with the faucet, requires manual installation in the connection area;
- the water flow regulating hole in the headvalve. The flow time can be changed using the included hex key - the option to adjust the water flow time is not available with the anti-block system.

Single time flow of the water is approximately 10 seconds \pm 3 seconds (at a water pressure of 3 bar). The amount of water consumed is up to 6 l / m. The minimum connection pressure is 0.5 bar, the maximum is 6 bar, the recommended connection pressure should be 2-4 bar.

The offered 9001 battery is available in three variants:

- 9002 universal variant, equipped with one 1/2 connection and a cup, a water flow reducer and an adjustment hole;
 - 9002/ M variant equipped with a 2 x G1 / 2 concealed mixer, a cup, a flow reducer and an adjustment hole;
 - 9002AB variant with an integrated anti-block system, which includes a cup and a flow reducer. The option to adjust the water flow time is not available.
- Each 9002 tap is certified by the Polish Institute of Hygiene, CE Declaration of Conformity and the National Declaration of Performance.