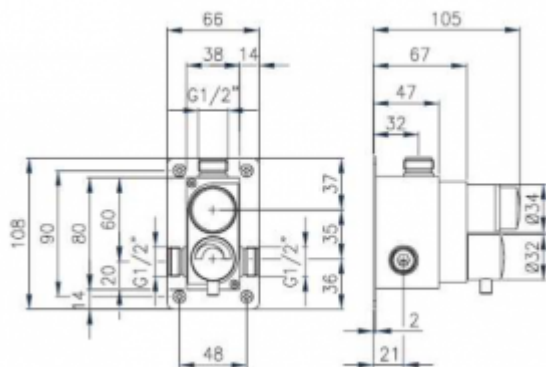




## Thermostatic timer mixer 5000TN

- Manual mixer located in the battery body
- Possibility to set the water temperature by the user
- The body is made of chrome-plated brass
- Exceptional durability and reliability
- The product is entirely made in the European Union
- Simple operation
- Easy to assemble
- PZH certificate, CE declaration

Option	With mixer
Connector	2 x 1/2"
Mixer	Manual
Design	Vandal-resistant - chrome plated brass
Water time flow	Adjustable from 15- 25 seconds
Start	By means of the button
Water pressure reductor	up to 6l / min.
Contains	Battery and mounting kit



Wall-mounted shower tap with two G1 / 2 connections for cold and hot water. The battery housing is made of corrosion-resistant chrome-plated brass. The faucet has a ceramic insert. One-time flow of water takes about 15 - 25 seconds. The amount of water consumed at the outlet is approx. 6 l / m, at a water connection pressure of 3 bar.

The connection pressure may be 0.5 - 6 bar, however the recommended connection pressure should be 2-4 bar. A factory mounting kit is included with each 5000TN Series Pillar Battery. What's more, the whole thing is certified by the Polish Institute of Hygiene, CE Declaration of Conformity and the National Declaration of Performance.