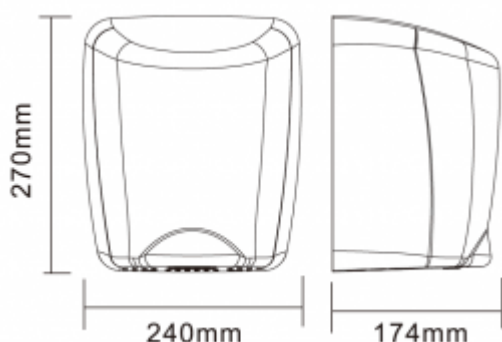




Hand dryer MCSA2

- 7-10 seconds hand drying, ideal for heavy traffic
- Relatively quiet operation
- Low noise level
- Durable and resistant to vandalism
- Contemporary and elegant look
- Automatic operation
- IPX1 protection

Housing	Stainless steel AISI 304
Finish	Matt
Action	Photocell
Dimensions	270x240x174 mm
Tension	220 - 240 V, 50 Hz
Total power	1800 W
Drying time	7-10s
Air velocity	324 km / h
Water protection	IPX1



The automatic hand dryer is made of 304 stainless steel 1.5mm thick in a satin finish. 304 stainless steel protects against corrosion and vandalism, it is an ideal material for heavy-duty areas. The hand dryer is equipped with advanced water-blasting technology, the upgraded motor delivers extremely impressive airflow speeds of up to 360 km/h. Fitted with advanced sensors with a stylish blue LED light for washrooms which consequently provides a visible indication of operation and the drying zone ensuring that the users hand's are always in the warm air stream.