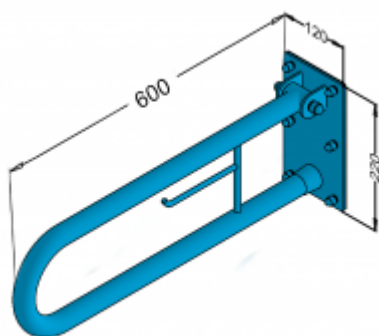




Tilting arched railing with space for 60cm paper 32-UR6p

- Holder for an additional roll of paper
- Screw covers
- Mounting kit included
- Silicone pads to eliminate unevenness
- Easy to clean

Material	Carbon steel
Finish	Powder coated in white
Type of coating	Polyester paint
Coating thickness	120 μ
Handrail type	Straight
Handrail length	600 mm
Tube diameter	\varnothing 32mm
The wall thickness	1,5 mm
Maximum load	130 kg
Hole diameter	\varnothing 6,5 mm
Number of fixing holes	6
Includes	6x60 mm screws, 10x60 mm plugs



Handrail for disabled people, arched, tilted, a wall with space for toilet paper, 600 mm long, general-purpose, made of 32 mm diameter carbon steel tube, powder-coated, white. We use this type of handrail in the wc area.