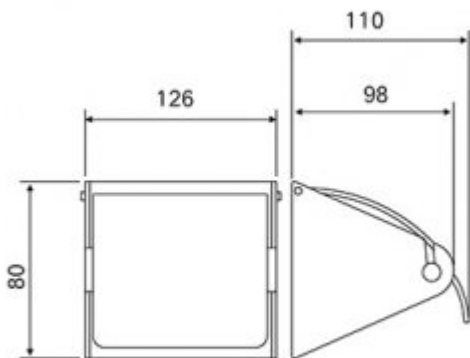




Paper feeder HI19S

- small size
- great workmanship
- fits a standard roll of toilet paper
- roller braking flap

Housing	Stainless steel
Finishing	Matt
Dimensions	136 x 68 x 90 mm
Capacity	1 standard roll
Includes	Mounting kit included



Toilet paper dispenser made of stainless steel. Matt finish.
Capacity: 1 standard roll of toilet paper.

