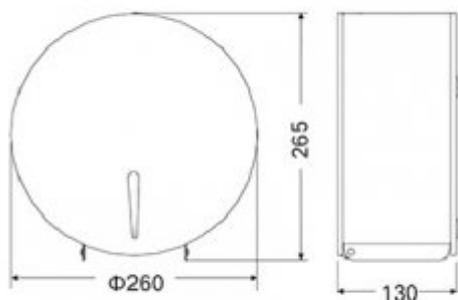




Paper tray C7402A

- Classic shapes
- Vandal resistant construction
- Ground edges
- Locked with a key
- Fit standard mini-jumbo toilet paper rolls
- The window for viewing the amount of paper remaining

Housing	Stainless steel
Finishing	Black
Design	Vandal-proof execution
Material	AISI 304
Lock	the key
Dimensions	260x265x160 mm
Window	Yes
Capacity	1 roll up to 250 mm in diameter
Includes	Mounting kit included, key included



General-purpose toilet paper dispenser. The offered feeder is made of AISI 304 stainless steel in a black finish. The stainless steel 1.4301 used is a universal material that is often used in the production of sanitary products. It is highly resistant to vandalism, corrosion, rust, and most oxidizing acids.

The C7402A paper feeder has dimensions of 260x265x130 mm. The capacity of drum will hold 1 roll of paper with a diameter of up to 250 mm. The whole thing is locked with a key, and there is a window in the casing for viewing the amount of remaining toilet paper.