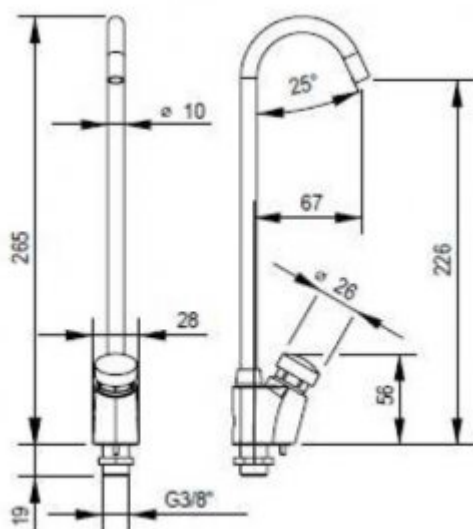




## Fountain battery 9054

- Body made of solid brass
- Regulated water pressure
- High resistance to vandalism
- Exceptional durability and reliability
- Simple operation
- Easy assembly
- PZH certificate, CE declaration

|                         |                                       |
|-------------------------|---------------------------------------|
| Connector               | 3/8                                   |
| Mixer                   | None                                  |
| Design                  | Vandal resistant / solid brass finish |
| Water pressure reductor | Yes                                   |



A fountain faucet mounted on a countertop. Ideally suited as a water distributor in educational facilities or offices. The source is equipped with a close/open valve with a collar ensuring access to drinking water.