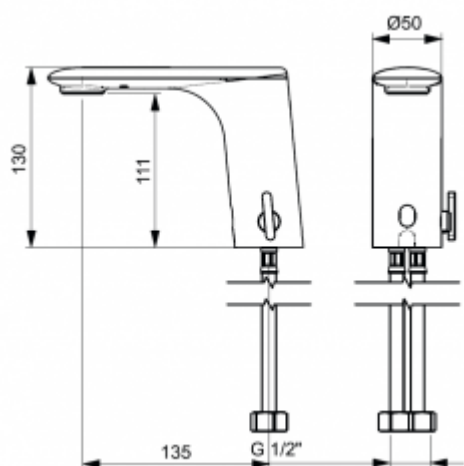




Electronic photocell battery with mixer 2514

- Body made of corrosion-resistant brass
- Built-in infrared sensor activated when the presence of a hand is detected
- Safe use, fully contactless
- A side lever that allows you to control the water temperature
- Automatic rinse after 24 hours. It prevents the multiplication of microorganisms, including legionella bacteria
- Vandal-proof protection in the form of automatic shutdown of water flow after 1 minute of continuous use
- Two connection options: 2514B, 6V lithium battery (CRP2) - 220,000 cycles, 2514R, 230V AC / 6V DC power supply
- Exceptional durability and reliability
- Easy to assemble

| | |
|-----------------------|--|
| Power | 2514B, 6V lithium battery (CRP2) - 220,000 cycles, 2514R, 230V AC / 6V DC power supply |
| Connector | 2 x G1/2 |
| Mixer | Built-in |
| Design | Chrome-plated brass |
| Water flow | 6 l/min |
| Water pressure | Min - 1 - max - 6 bar |
| Start | Infra-red sensor with presence detection function |
| Temperature (min-max) | 5-70°C |



Touchless washbasin faucet with a built-in mixer for cold and hot water. The side lever allows you to adjust the temperature or allows you to set a constant water temperature. The 2514 Series offers two power options:

- 2514B, 6V lithium battery (CRP2) - 220,000 cycles;
- 2514R, 230V AC / 6V DC power supply.

The mentioned electronic battery is equipped with a saving mode, which automatically turns off the water flow after 1 minute of continuous use. Automatic rinsing takes place every 24 hours to prevent the proliferation of microorganisms, including legionella bacteria.