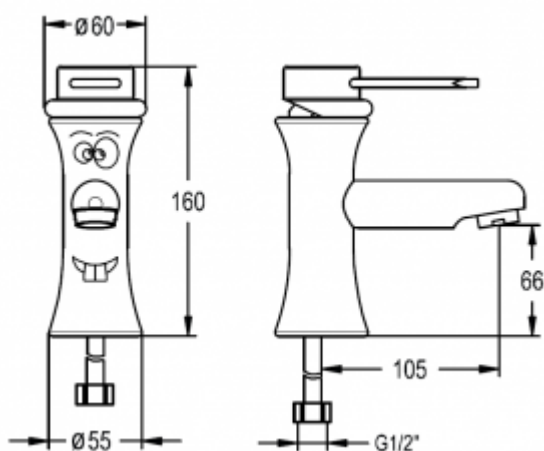




## Children's battery B210

- Two variants: B210 with ceramic head, B212 with ceramic mixer
- The body is made of brass, covered with epoxy paint
- ECO-STOP function to prevent excessive water consumption
- Children&HASH39;s-friendly colors
- Spout equipped with an aerator
- Vandal-proof design
- Exceptional durability and reliability
- The product is entirely made in the European Union
- Simple operation
- Easy to assemble

|                         |   |
|-------------------------|---|
| Option                  | For mixed water                             |
| Connector               | 1/2 "                                       |
| Mixer                   | 2xG1 / 2 ceramic - only with B212           |
| Design                  | Brass covered with epoxy paint              |
| Start                   | By lever                                    |
| Water pressure reductor | up to 6l / min.                             |
| Water temperature       | 5-65°C                                      |
| Water pressure          | Min 1 bar - Max 6 bar (Recommended 2-4 bar) |
| Contains                | Battery, mounting kit for the washbasin     |



Basin mixer with one G1 / 2 connection for cold or mixed water. The faucet body is made of brass covered with colored epoxy paint. The offered children&HASH39;s battery is equipped with the Eco-Stop system. The mentioned system is a two-stage activation of the water flow. The first activation (tilting the handle to start the battery) stops at a maximum flow of 3 l / m, the second activation (further tilting the handle) increases the maximum water flow to 6 l/m.

Children&HASH39;s washbasin tap are available in two variants:

- B210 universal variant, equipped with one 1/2 connection with a ceramic head and anti-burn lock;
- B212 variant equipped with a ceramic mixer 2 x G1 / 2 with anti-burn lock.