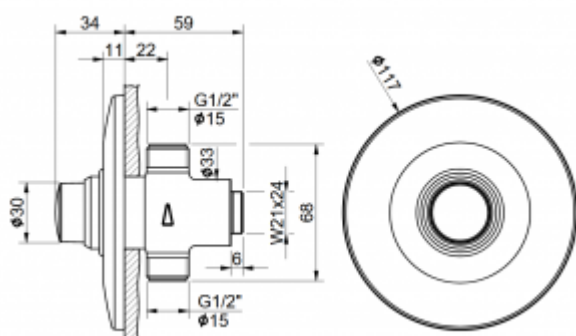




## Time battery 9005

- The body is made of chrome-plated brass
- Two variants: 9005 and 9005AB with an anti-block system
- Water flow time adjustment (available for 9005 variant)
- Water pressure reduction in the form of a cup and water flow reducer
- High resistance to vandalism (the 9005AB variant has additional protection in the form of an anti-block system)
- Exceptional durability and reliability
- The product is entirely made in the European Union
- Simple operation
- Easy to assemble
- Certificate of the Polish Institute of Hygiene
- CE declaration of conformity
- National Declaration of Performance

Option	For mixed water
Connector	G1/2
Design	Chrome-plated brass
Water time flow	Adjustable from 15 to 25 seconds
Start	By means of the button
Water pressure reductor	up to 6l / min.
Water temperature	5-65°C
Water pressure	Min 0,5 bar - Max 6 bar (Recommended 2-4 bar)
Contains	Battery, mounting kit



Shower tap for concealed installation. The tap has one G1 / 2 connection for cold or mixed water. The body of the faucet is made of brass covered with a layer of chrome. A single outflow of water in the 9005 shower tap takes about 15 - 25 seconds. The amount of water consumed at the outlet is approx. 6 l / m, at a water connection pressure of 3 bar. The connection pressure can be from 0.5 to 6 bar, however the recommended connection pressure should be from 2 to 4 bar.

The 9005 tap is available in two convenient variants:

- 9005 universal variant, equipped with one 1/2 connection and a cup, a water flow reducer, and an adjustment hole;
- 9005AB variant with an integrated anti-block system, which includes a cup and a flow reducer. The option to adjust the water flow time is not available.